

# IsoFreeze<sup>®</sup> SBS Racks

- SBS footprint for use with liquid handling equipment.
- Accommodates 96-well PCR plates, strip tubes, or 0.2 mL tubes.
- Rack does not come with lid.

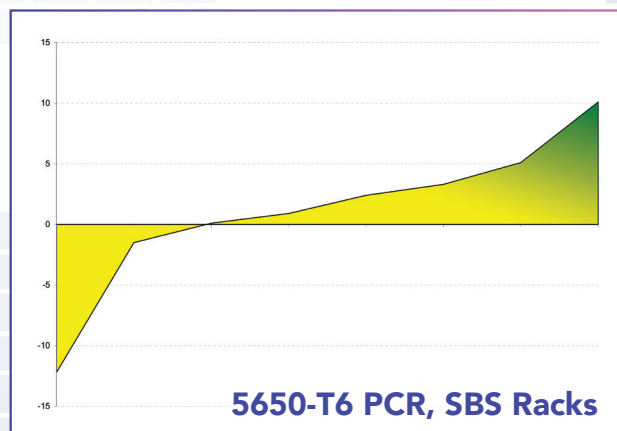
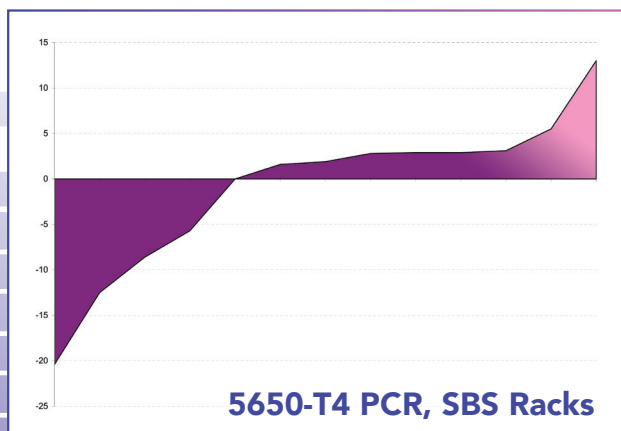
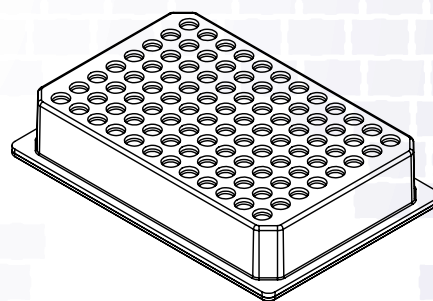
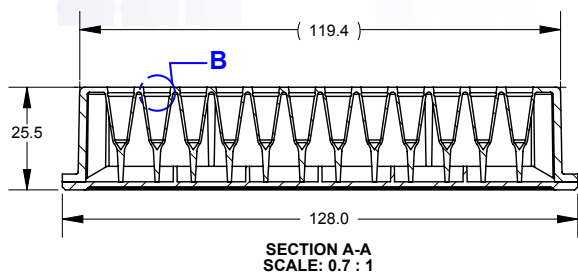
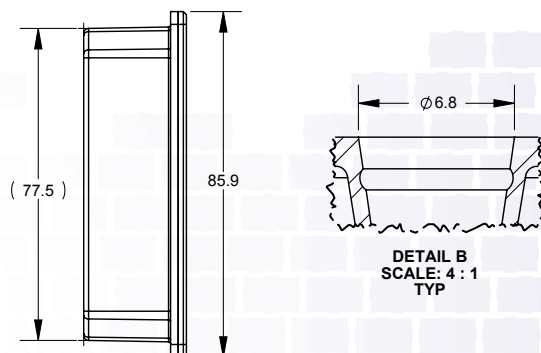
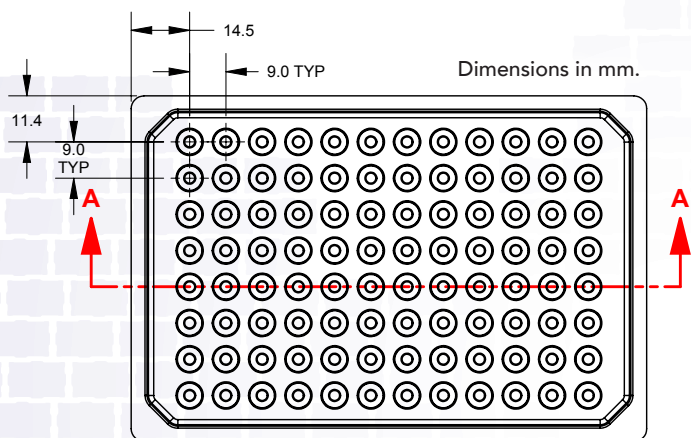
Item #	Description	Cold to Warm Color Change	Estimated Time at 4°C	Packaging
5650-T4	PCR, SBS Rack	Purple to Pink	2.5 Hours	2/unit, 5 units/case
5650-T6	PCR, SBS Rack	Green to Yellow	2.5 Hours	2/unit, 5 units/case



5650-T4

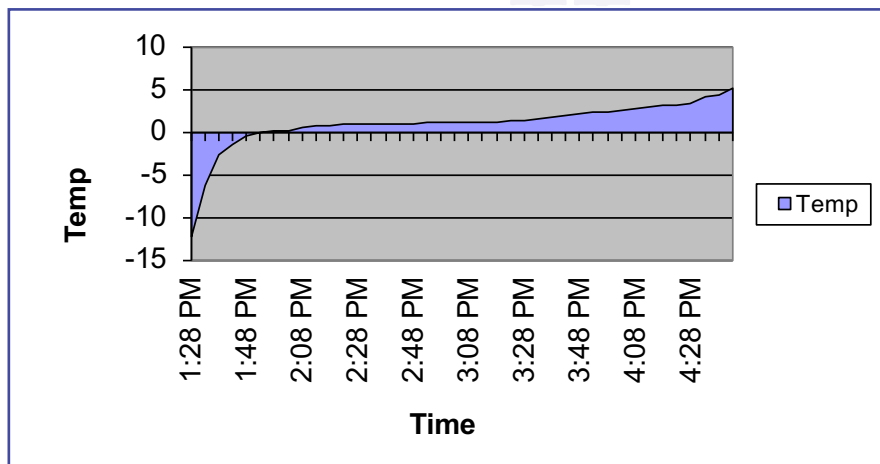


5650-T6



# IsoFreeze<sup>®</sup> SBS Racks

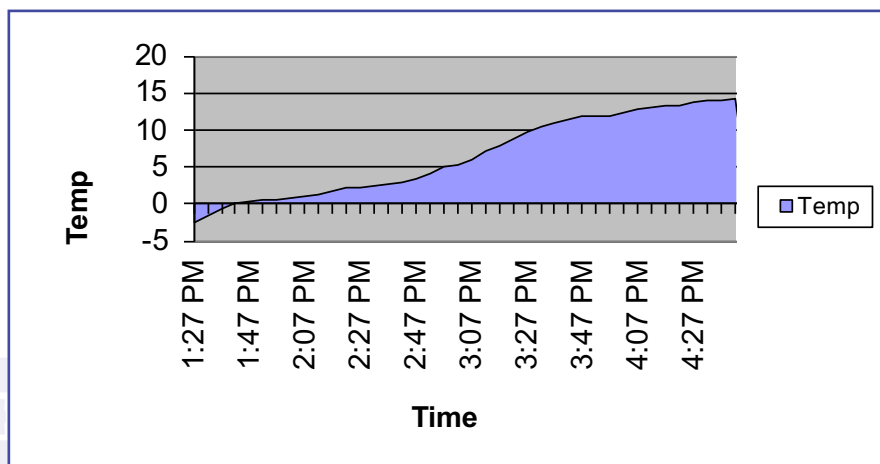
## Inner Core 5650 PCR, SBS Rack Temperature Chart



Minutes	0	15	30	45	60	75	90	105	120	135	150	165	180	195
Temp (°C)	-12.2	-1.5	0.1	0.7	0.9	1.0	1.1	1.2	1.3	1.9	2.4	2.9	3.3	5.1



## Outer Corners 5650 PCR, SBS Rack Temperature Chart



Minutes	0	15	30	45	60	75	90	105	120	135	150	165	180	195
Temp (°C)	-2.4	0.1	0.7	1.4	2.3	3.0	5.0	7.3	9.7	11.4	12.0	13.2	13.8	14.3